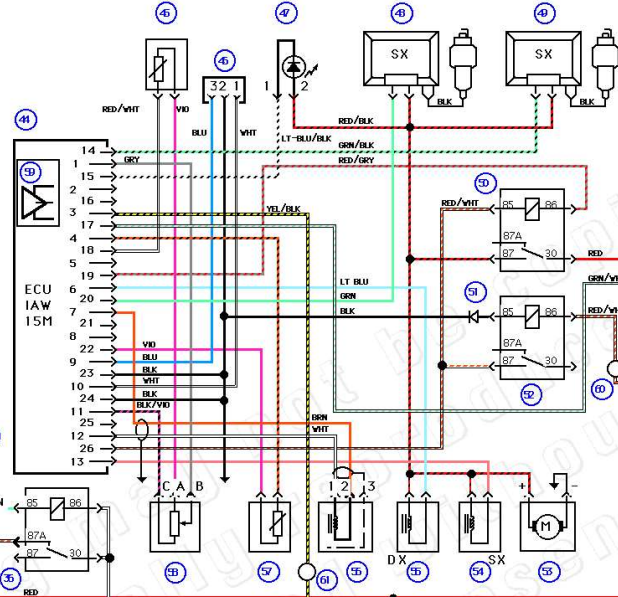
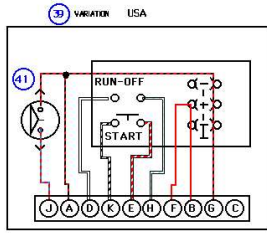
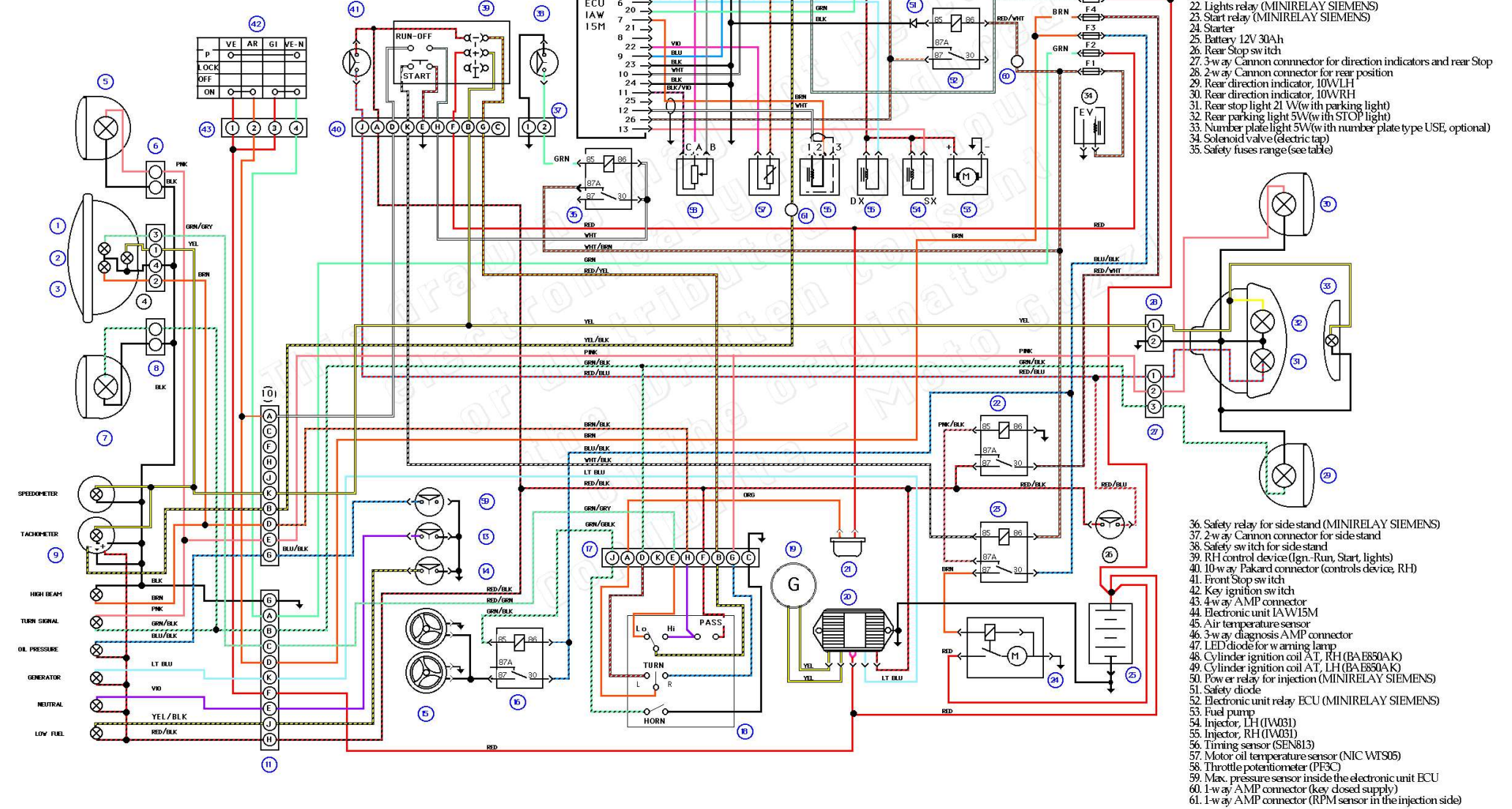


Wiring Color Codes

yellow	white/black
pink	yellow/white
red	red/white
brown	brown/white
orange	blue/white
violet	green/white
blue	grey/red
light blue	grey/green
green	red/yellow
grey	yellow/black



- List of Fuses (All 15A)
- F1. Electric tap
  - F2. Parking lights, direction indicators
  - F3. Starter, horn
  - F4. Driving beam, traffic beam, stop
  - F5. Electron unit ECU
  - F6. Pump, coils, injectors



- Driving beam 60 W(H4 halogen with traffic beam)
- Parking light 4W
- Traffic beam 55W(H4 halogen with driving beam)
- 4-way AMP connector for front lamp
- Front direction indicator 10W, RH
- 2-way Cannon connector for front direction indicator, RH
- Front direction indicator 10W, LH
- 2-way Cannon connector for front direction indicator, LH
- Instrument panel
- 10-way A Pakard connector (instrument panel)
- 10-way B Pakard connector (instrument panel)
- Starter, horn
- Switch for oil pressure
- Idle switch
- Switch for fuel level
- Horn
- Horn relay (MINIRELAY SIEMENS)
- 10-way Pakard connector (device LH)
- LH control device, lights, direction indicators, horn
- Alternator, 12V 350W
- Voltage regulator
- Intermittence
- Lights relay (MINIRELAY SIEMENS)
- Start relay (MINIRELAY SIEMENS)
- Starter
- Battery 12V 30Ah
- Rear Stop switch
- 3-way Cannon connector for direction indicators and rear Stop
- 2-way Cannon connector for rear position
- Rear direction indicator, 10W/LH
- Rear direction indicator, 10W/RH
- Rear stop light 21 W(with parking light)
- Rear parking light 5W(with STOP light)
- Number plate light 5W(with number plate type USE, optional)
- Solenoid valve (electric tap)
- Safety fuses range (see table)

- Safety relay for side stand (MINIRELAY SIEMENS)
- 2-way Cannon connector for side stand
- Safety switch for side stand
- RH control device (Ign., Run, Start, lights)
- 10-way Pakard connector (controls device, RH)
- Front Stop switch
- Key ignition switch
- 4-way AMP connector
- Electronic unit IAW15M
- Air temperature sensor
- 3-way diagnosis AMP connector
- LED diode for warning lamp
- Cylinder ignition coil AT, RH (BAE850AK)
- Cylinder ignition coil AT, LH (BAE850AK)
- Power relay for injection (MINIRELAY SIEMENS)
- Safety diode
- Electronic unit relay ECU (MINIRELAY SIEMENS)
- Fuel pump
- Injector, LH (IW031)
- Injector, RH (IW031)
- Timing sensor (SEN813)
- Motor oil temperature sensor (NIC WTS05)
- Throttle potentiometer (PF3C)
- Max. pressure sensor inside the electronic unit ECU
- 1-way AMP connector (key closed supply)
- 1-way AMP connector (RPM sensor in the injection side)